

LXP-B2733(3327)-60D

SFP+ BIDI 10Gb/s TX1270nmDFB/RX1330nm(TX1330nmDFB/RX1270nm) Single-mode 60km DDM

PRODUCT FEATURES

- Up to 11.3Gbps Data Links
- 1270nm DFB laser transmitter and APD/TIA receiver
- 1330nm DFB laser transmitter and APD/TIA receiver
- Up to 60km on 9/125µm SMF
- Hot-pluggable SFP footprint
- BIDI LC/UPC type pluggable optical interface
- Low power dissipation
- Metal enclosure, for lower EMI
- RoHS compliant and lead-free
- Support Digital Diagnostic Monitor interface
- Single +3.3V power supply
- Compliant with SFF-8472
- Case operating temperature
Commercial: 0°C to +70°C



APPLICATIONS

- 10GBASE-BX
- 10G SONET/SDH, OTU2/2e

Compliance

- SFF-8472 SFP+ MSA.
- SFP+ SFF-8431 and SFF-8432.
- IEEE802.3ae
- RoHS

PRODUCT DESCRIPTION

LXP-B2733(3327)-60D SFP+ transceivers are compatible with the Small Form Factor Pluggable Multi-Sourcing Agreement (MSA). The transceiver consists of five sections: the LD driver, the limiting amplifier, the digital diagnostic monitor, the 1270nm DFB laser (the 1330nm DFB laser) and the APD/TIA. The module data link up to 60km in 9/125um Single-mode fiber.

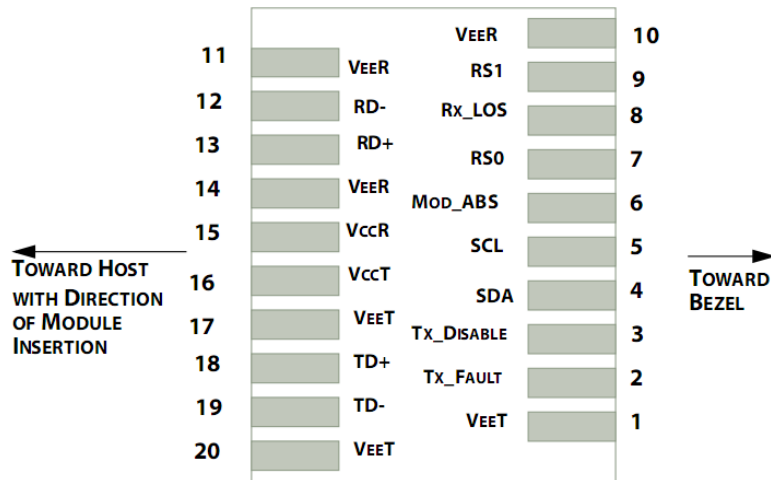
This transceiver meets SFP+ industry standard package utilizing an integral LC-Bi-directional optical interface connector. An enhanced Digital Diagnostic Monitoring Interface compliant with SFF-8472 has been incorporated into the transceiver. It allows real time access to the transceiver operating parameters such as transceiver temperature, laser bias current, transmitted optical power, received optical power and transceiver supply voltage by reading a built-in memory with I²C interface.

The optical output can be disabled by a LVTTTL logic high-level input of Tx Disable, and the system also can disable the module via I²C. Tx Fault is provided to indicate that degradation of the laser. Loss of signal (LOS) output is provided to indicate the loss of an input optical signal of receiver or the link status with partner. The system can also get the LOS (or Link)/Disable/Fault information via I²C register access.

Ordering information

Package	Product part NO.	Data Rate (Gbps)	Media	Wavelength (nm)	Transmission Distance(km)	Temperature Range (°C)	
SFP+	LXP-B2733(3327)-60D	10.3125	single-mode fiber	1270T/1330R (1330T/1270R)	60	0~70	Commercial

I. Pin Diagram



Pin out of Connector Block on Host Board

II. Pin Descriptions

Pin	Symbol	Name/Description	Ref.
1	VEET	Transmitter Ground (Common with Receiver Ground)	1
2	TFAULT	Transmitter Fault.	2
3	TDIS	Transmitter Disable. Laser output disabled on high or open.	3
4	SDA	2-wire Serial Interface Data Line	4
5	SCL	2-wire Serial Interface Clock Line	4
6	MOD_ABS	Module Absent. Grounded within the module	4
7	RS0	No connection required	
8	LOS	Loss of Signal indication. Logic "0" indicates normal operation.	5
9	RS1	No connection required	
10	VEER	Receiver Ground (Common with Transmitter Ground)	1
11	VEER	Receiver Ground (Common with Transmitter Ground)	1
12	RD-	Receiver Inverted DATA out. AC Coupled	
13	RD+	Receiver Non-inverted DATA out. AC Coupled	
14	VEER	Receiver Ground (Common with Transmitter Ground)	1
15	VCCR	Receiver Power Supply	
16	VCCT	Transmitter Power Supply	
17	VEET	Transmitter Ground (Common with Receiver Ground)	1
18	TD+	Transmitter Non-Inverted DATA in. AC Coupled.	
19	TD-	Transmitter Inverted DATA in. AC Coupled.	
20	VEET	Transmitter Ground (Common with Receiver Ground)	1

Notes:

1. Circuit ground is internally isolated from chassis ground.
2. TX Fault is an open drain output, which should be pulled up with 4.7K – 10KΩ resistor on the host board. Pull up voltage between 2.0V to $V_{ccT/R}+0.3V$. When high, output indicates a laser fault of some kind. Low indicates normal operation. In the low state, the output will be pulled to $< 0.8V$. When sensing an improper power level in the laser driver, the SFP sets this signal high and turns off the laser. TX-FAULT can be reset with the TX-DISABLE line. The signal is in LVTTTL level.
3. TX disable is an input that is used to shut down the transmitter optical output. It is pulled up within the module with 4.7K – 10KΩ resistor. Its states are: Low (0 – 0.8V): Transmitter on; ($>0.8, < 2.0V$): Undefined; High (2.0V to $V_{ccT/R}+0.3V$): Transmitter Disabled; Open: Transmitter Disabled. The TX-DISABLE signal is high (LVTTTL logic “1”) to turn off the laser output. The laser will turn on when TX-DISABLE is low (LVTTTL logic “0”).
4. Should be pulled up with 4.7K - 10KΩ on host board to a voltage between 2.0V to $V_{ccT/R}+0.3V$. MOD_ ABS pulls line low to indicate module is plugged in.
5. LOS (Loss of Signal) is an open collector/drain output, which should be pulled up with 4.7K – 10KΩ resistor. Pull up voltage between 2.0V to $V_{ccT/R}+0.3V$. When high, this output indicates the received optical power is below the worst-case receiver sensitivity (as defined by the standard in use). Low indicates normal operation. In the low state, the output will be pulled to $< 0.8V$.

The RX-LOS is high (LVTTTL logic “1”) when there is no incoming light from the companion transceiver. This signal is normally used by the system for the diagnostic purpose. The signal is operated in LVTTTL level.

III. Absolute Maximum Ratings

Parameter	Symbol	Min.	Typ.	Max.	Unit	Ref.
Storage Temperature	TS	-40		85	°C	
Storage Ambient Relative Humidity	HA	0		85	%	
Power Supply Voltage	VCC	-0.5		4	V	
Signal Input Voltage		-0.3		$V_{cc}+0.3$	V	
Receiver Damage Threshold		+3			dBm	
Lead Soldering Temperature/Time	TSOLD			260/10	°C/sec	Note (1)
Lead Soldering Temperature/Time	TSOLD			360/10	°C/sec	Note (2)

Note (1): Suitable for wave soldering.

Note (2): Only for soldering by iron.

IV. Recommended Operating Conditions

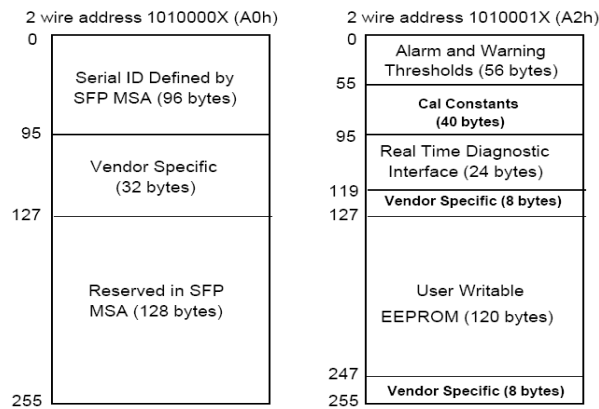
Parameter	Symbol	Min.	Typ.	Max.	Unit	Ref.
Case Operating Temperature	T _{case}	0		70	°C	LXP-B2733(3327)-60D
Ambient Humidity	HA	5		70	%	Non-condensing
Data Rate			10.3125/10.3125		Mbps	TX Rate/RX Rate
Transmission Distance				60	km	
Coupled Fiber	Single mode fiber					9/125um G.652

V. Optical Characteristics

Parameter	Symbol	Min.	Typ.	Max.	Unit	Ref.
Transmitter						
Average Output Power	POUT	0		+5	dBm	
Extinction Ratio	ER	3			dB	
Center Wavelength	λ_C	1250	1270	1290	nm	
		1310	1330	1350		
Side Mode Suppression Ratio	SMSR	30			dBm	
Spectrum Width (RMS)	σ			1	nm	
Transmitter OFF Output Power	POff			-30	dBm	
Output Eye Mask	Compatible with IEEE 802.3ae					
Receiver						
Input Optical Wavelength	λ_{IN}	1310	1330	1350	nm	
		1250	1270	1290		
Rx Sensitivity	RSENS			-21	dBm	Note (1)
Input Saturation Power (Overload)	PSAT	-8			dBm	
Loss of Signal Assert	PA	-45			dBm	
Loss of Signal De-assert	PD			-21.5	dBm	
LOS Hysteresis	PD - PA	0.5		6	dB	

Note (1): With worst-case extinction ratio. Measured with a PRBS 2³¹-1 test pattern, @10.3125Gb/s, BER<10⁻¹² .

VI. Digital Diagnostic Memory Map



VII. Digital Diagnostic Monitoring Information

Parameter	Unit	Accuracy
Case Temperature	°C	±3
Supply Voltage	V	±3%
Tx Bias Current	mA	±10%
Tx Optical Power	dB	±3
Rx Optical Power	dB	±3

VIII. Electrical Interface Characteristics

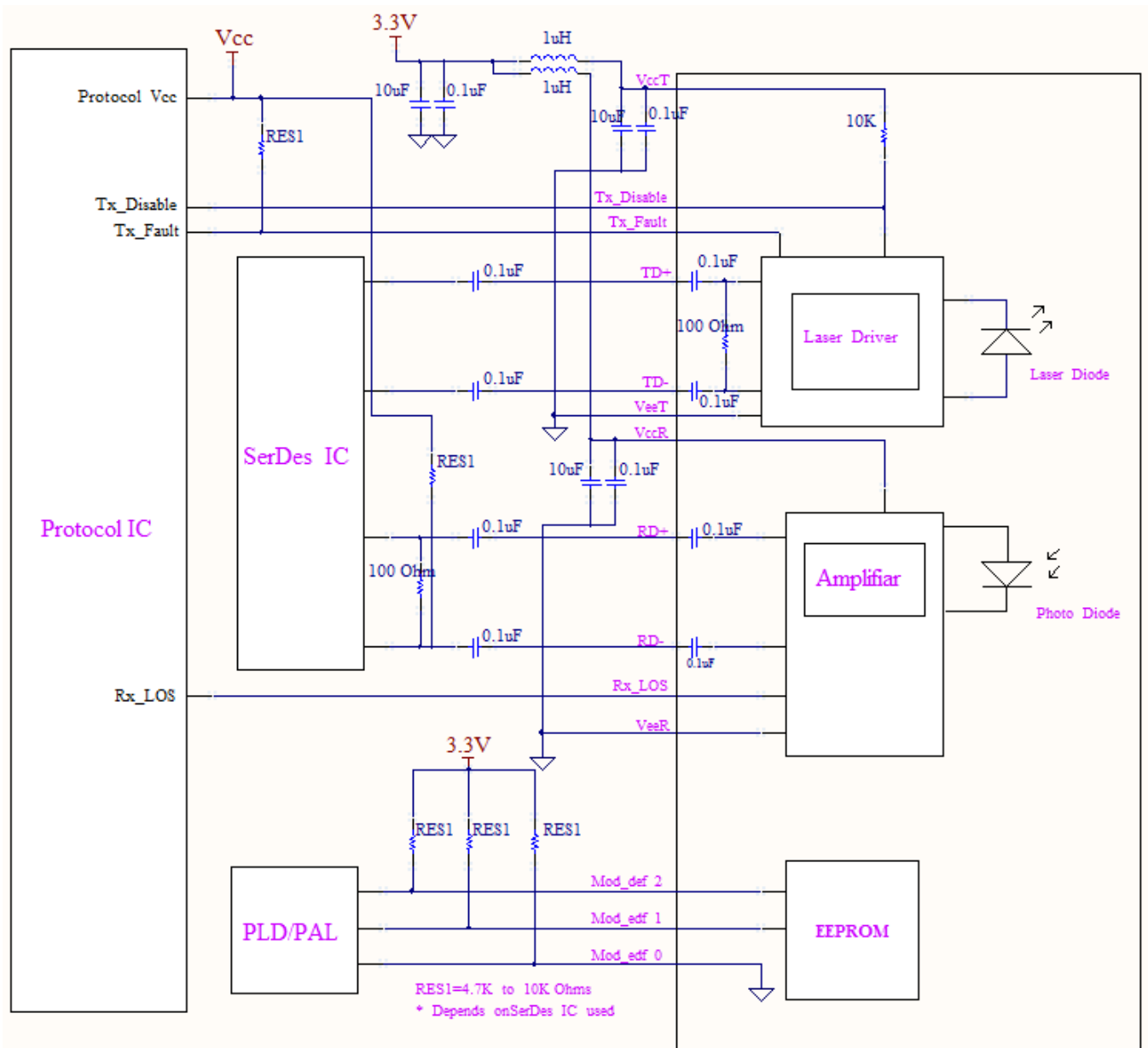
Parameter	Symbol	Min.	Typ.	Max.	Unit	Ref.
Supply Voltage	VCC	3.13	3.30	3.47	V	
Supply Current	ICC			450	mA	
Transmitter						
Input different impedance	Rin	90	100	110	Ω	Note (1)
Single ended data input swing	Vin,pp	180		700	mV	
Transmitter Disable Voltage	VDIS	2		VCC	V	
Transmitter Enable Voltage	VEN	0		0.8	V	
Receiver						
Output different impedance	Rout	90	100	110	Ω	Note (1)
Single ended data output swing	Vout,pp	300		850	mV	Note (2)
LOS Asserted	VLOSA	2		VCCHOST	V	Note (3)
LOS De-asserted	VLOSD	0		0.8	V	Note (3)

Note (1): Connected directly to TX data input pins. AC coupled thereafter.

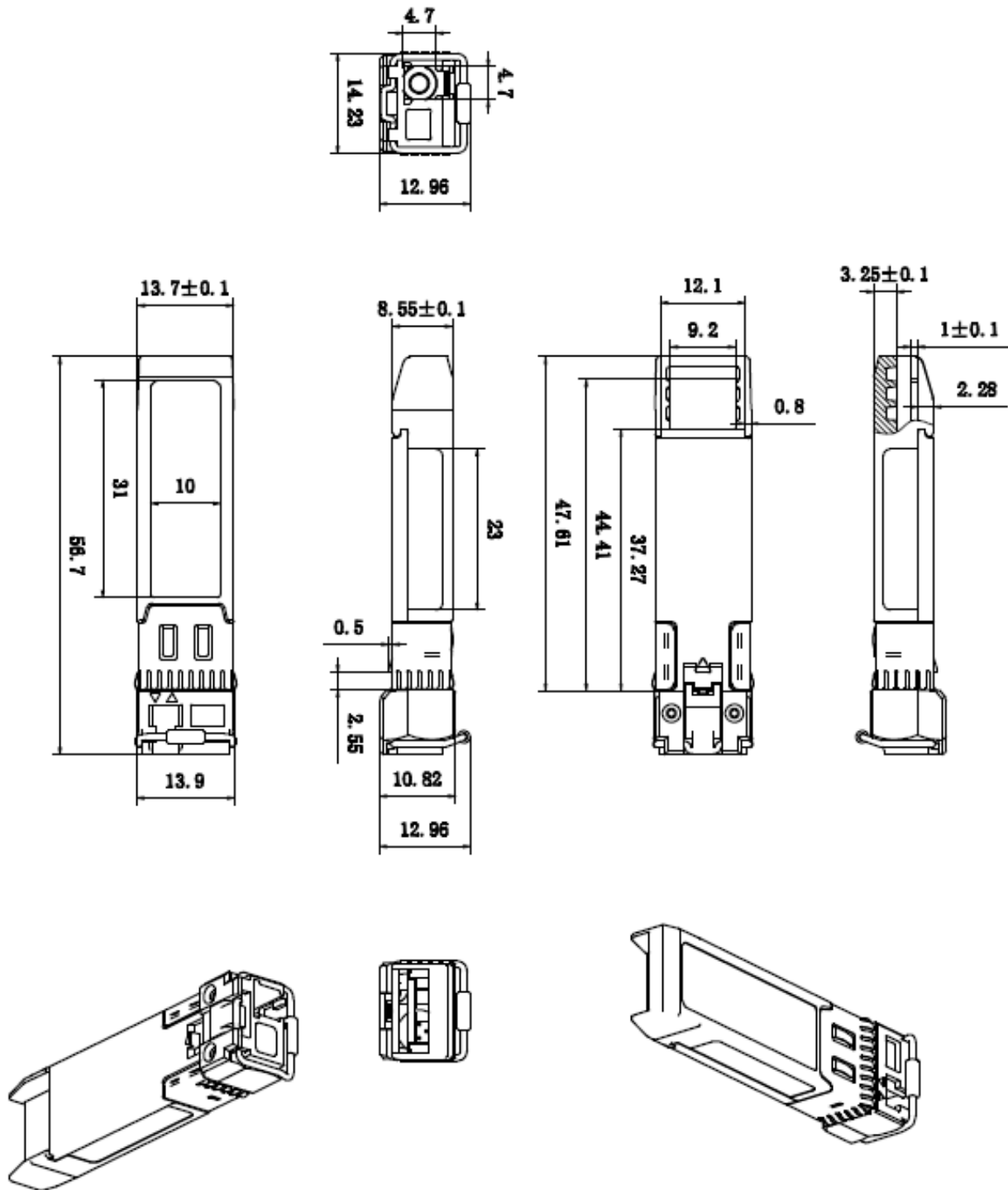
Note (2): Into 100Ω differential termination.

Note(3): Loss Of Signal is LVTTTL. Logic “0” indicates normal operation; logic “1” indicates no signal detected.

IX. Recommend Circuit Schematic



X. Mechanical Specifications (Unit: mm)



LXP-B2733(3327)-60D

XI. Regulatory Compliance

Feature	Reference	Performance
EMC	EN61000-3	Compatible with standards
Electrostatic Discharge (ESD)	IEC/EN 61000-4-2	Compatible with standards
Electromagnetic Interference (EMI)	FCC Part 15 Class B EN 55022 Class B (CISPR 22A)	Compatible with standards
Laser Eye Safety	FDA 21CFR 1040.10, 1040.11 IEC/EN 60825-1 ,EC/EN 60825-2	Class 1 laser product
Component Recognition	IEC/EN 60950 ,L 60950	Compatible with standards
ROHS	2002/95/EC	Compatible with standards

Revision History

Version No.	Date	Description
1.0	June 24, 2019	Preliminary datasheet